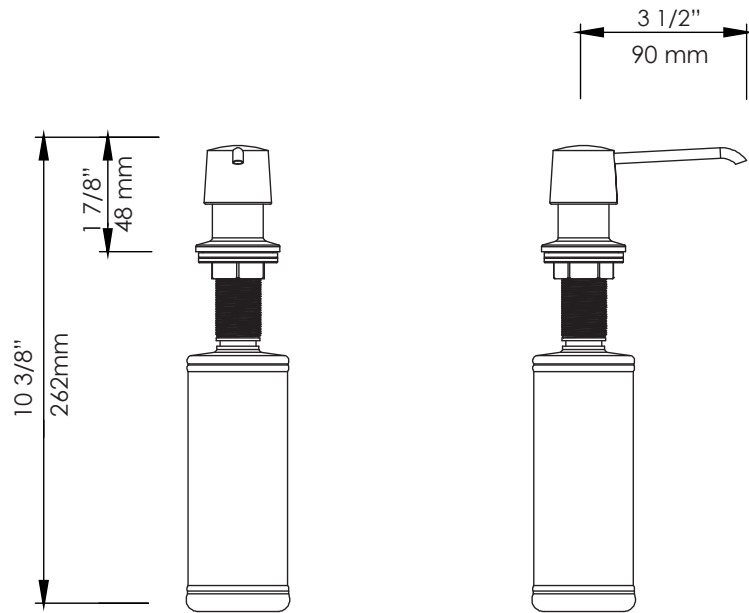


## DIMENSIONS



### BLOSSOM BRAND FAUCETS LIMITED LIFETIME WARRANTY

- Blossom solid brass faucets are manufactured with the most durable ceramic cartridge under the highest standards of quality and workmanship. All Blossom faucets carry a limited lifetime warranty from the original date of purchase.
- We recommend our products to be installed and serviced by a licensed professional plumber or contractor to avoid any improper installation. Warranty is automatically void if any product has been tampered, improperly installed, altered or damaged due to misuse or abuse during installation.
- If a product fails as a result of a defect in manufacturing during the warranty period, Blossom will repair or replace the product or its parts at its sole discretion. Proof of purchase (original invoice / sales receipt) must be provided to Blossom for all warranty claims. The warranty applies only to faucets installed in the United States of America & Canada. Blossom extends its warranty only to the first consumer purchaser.
- BLOSSOM IS NOT LIABLE FOR ANY INCIDENTAL, CONSEQUENTIAL OR ACCIDENTAL DAMAGES, LABOR CHARGES, TRAVEL TIME, FREIGHT COSTS INCURRED OR CONTINGENT LIABILITIES.
- Blossom, makes no representation that its products comply with any or all local building or plumbing codes. It is the consumer's responsibility for determining local code compliance.

[www.BlossomUS.com](http://www.BlossomUS.com)



## INSTALLATION INSTRUCTIONS

### Kitchen Soap Dispenser

**SD01**



**NSF**



Solid Brass Pump  
Soap Container (8.5 oz)

[www.BlossomUS.com](http://www.BlossomUS.com)

## Important

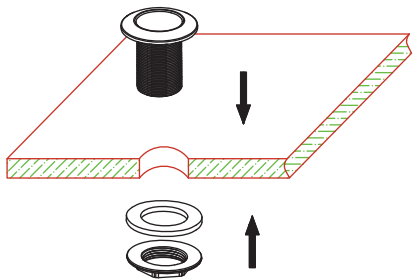
- We recommend that this product is installed by a qualified professional plumber / contractor.
- Please check this product immediately to ensure that it has not been damaged and is complete. Before installation, please make sure this product is the correct model and you have all the parts required for installation and using.
- Please read these instructions carefully and keep it for future reference.

## Maintenance

We DO NOT recommend using any household cleaners to clean the product. The product should be cleaned only with soapy water. Rinsed with clean water and dry with a soft cloth.

## Soap Dispenser Installation Procedure

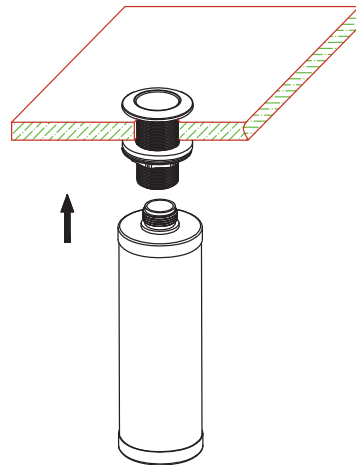
### Step 1



Put one washer into the groove in the bottom of the neck and then pass the threaded part of the neck through the countertop hole.

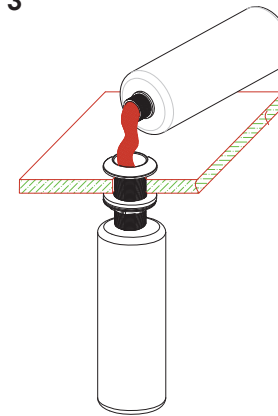
Put the second washer to the threaded part of the neck, under the sink. Then install the nut and hand tighten to keep it in place.

### Step 2



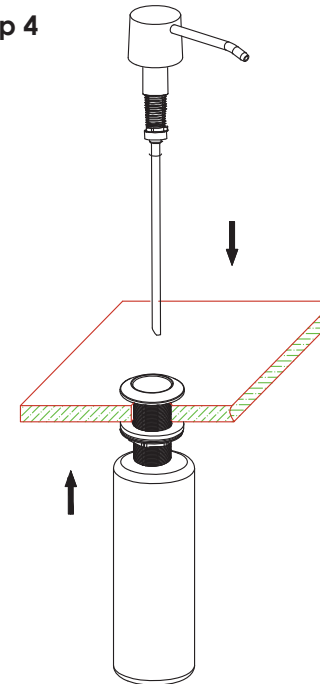
Then hand tight (gently) the soap container into the thread of the neck.

### Step 3



Now fill the container with the soap by pouring it from the top.

### Step 4



Insert the soap dispenser pump from the top. It may take a few pumps before the soap works its way through the nozzle.

